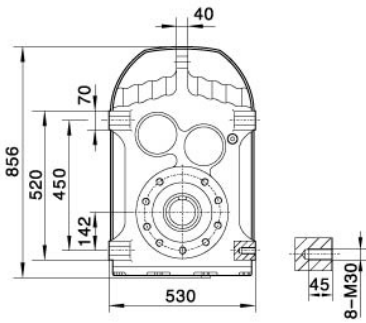
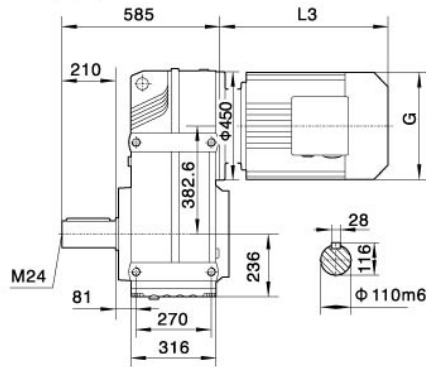


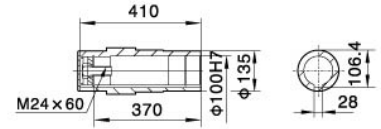
# 外形安装尺寸 Mounting Dimension Sheets-overview



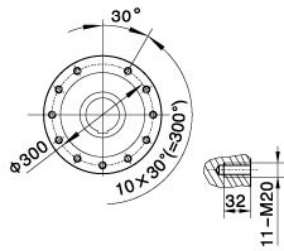
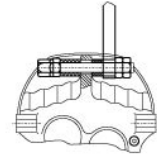
**F127**



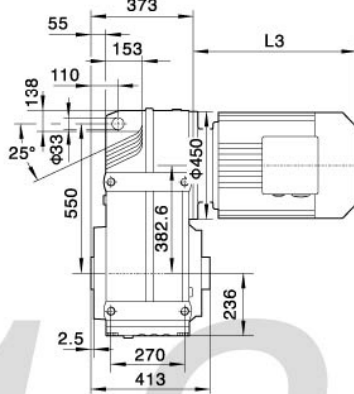
**FA127/FAF127/FAZ127空心轴  
/Hollow shaft**



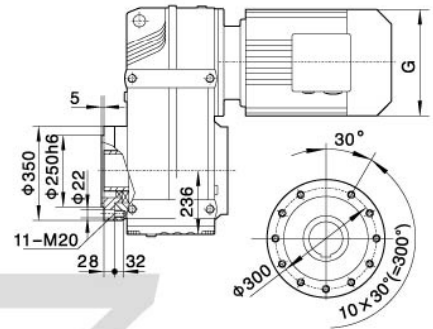
**F..T127**



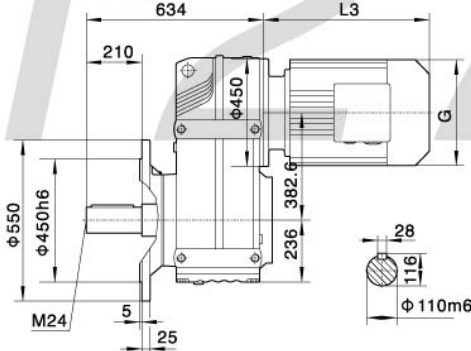
**FA127**



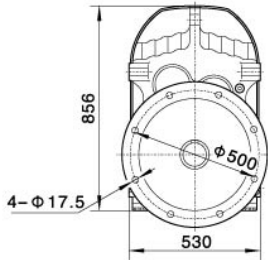
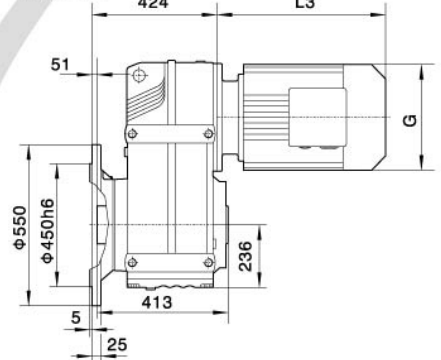
**FAZ127**



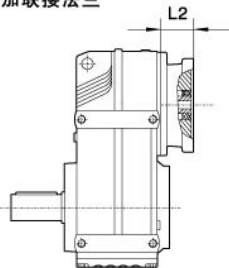
**FF127**



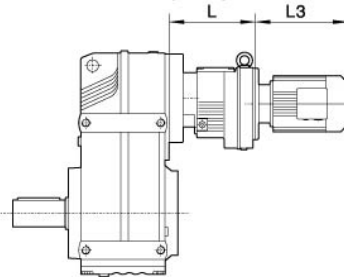
**FAF127**



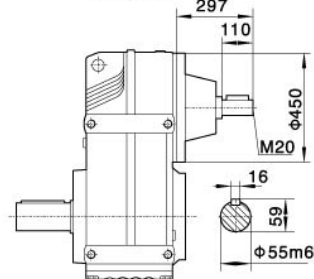
电机需方配或配特殊电机时  
需加联接法兰



**F..127R77(R87)**



**F..S127**



注：其余尺寸见  
相对应结构形式

Note:For other  
values please  
refer to the o-  
pposited stru-  
cture.

When equipping the user's motor or the special  
one,the flange is required to be connected.

Y2电机机座号 Motor size 功率/4P Power/(kW)	132M	160M	160L	180M	180L	200	F..127R77		F..127R87		
							L	230		275	
L3	424	567	602	583	616	654	225S	225M	250	280S	280M
G	275	330	330	380	380	420	37	45	55	75	90
L2	132	132	132	132	132	132	674	696	775	847	847
							470	470	510	580	580
							143	143	174	174	174

注:1.以上壳体为通用件,安装尺寸均可相互参照 2."F.."表示F、FA、FF、FAF、FAZ

Note:1.The above housings are common parts.The mounting dimensions may consult each other. 2."F.."mean F、FA、FF、FAF、FAZ